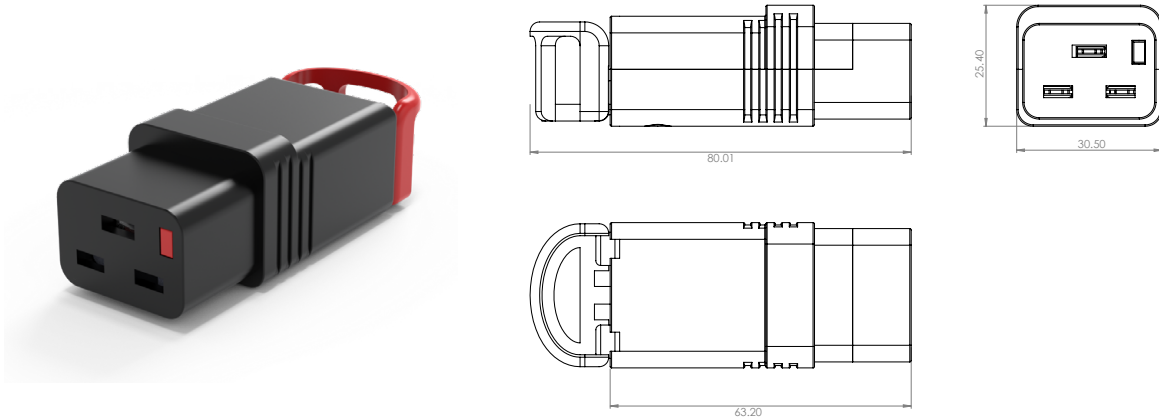


Product Code: PA190100BK

Description: C19 Locking IEC+ Rewireable Connector



General Information

Rating	16A Max / 250V~ (Europe & Australia) 20A Max / 250V~ (USA)
Materials	Outer Body & Chassis: Nylon (PA66) LSZH (RAL 9004 Signal Black) Cable Restraint: Nylon (PA66) Housing Screws & Cable Restraint Screws: Steel, Nickel Plated Lock Pivot Lever: Polycarbonate Terminal Block & Sliding Terminal: Brass Terminal Screws: Steel, Yellow Passivated Spring: Spring Steel Locking Blade: Spring Steel Zinc Plated Red Handle: Polycarbonate LSZH (RAL 3020 Traffic Light Red)
Terminal Capacity	3 Core 2.5mm ² Maximum, ø2.5mm Terminal Diameter
Maximum Cable Diameter	11.3mm
Torque Value Terminal Screws	0.4Nm, Strain Relief Clamping Screws; 0.3Nm
Dielectric Strength	1.5 kV Max
Withdrawal Force	>100N
Ambient Operating Temperature	25°C
Flammability Rating	Equivalent to UL94V-0
Protection Class	Suitable for appliances with protection Class I according to IEC EN 61140
Features	Rewireable Fits any standard C20 inlet Anti-Vibrate Integral plug retention feature Easy pull handle Slotted and Cross head housing screws Appliance inlet suitable for cold conditions

Standards	IEC /BS EN 60320-1:2021 IEC /BS EN 60320-3:2014+A1: 2021 UL 60320-1 UL 60320-3 CSA C22.2 60320-1: 19 CSA C22.2 60320-3
------------------	---

